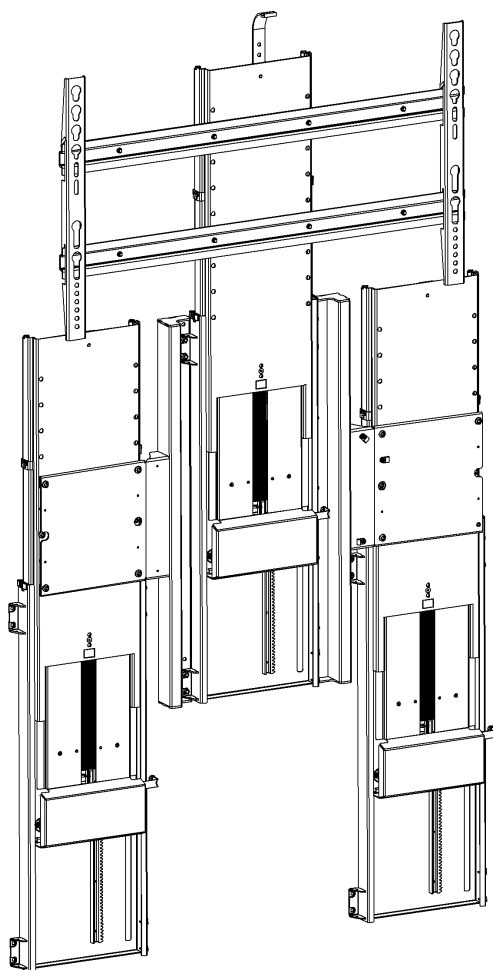


TS2000C

Original

3521.00.2

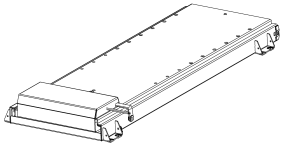
EN - Assembly Instruction and User Manual (Page 2)



1. Parts

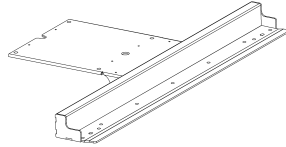
EN

(A) Flat lift



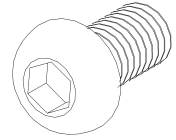
x3

(B) Connector bracket



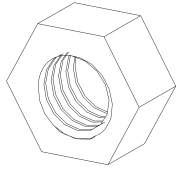
x2

(C) Screw M6x12mm



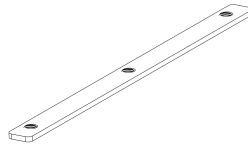
x8

(D) M6 nut



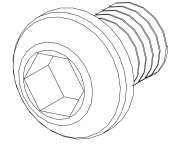
x8

(E) Side plate fix



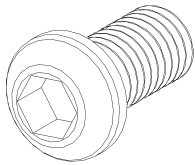
x4

(F) Screw M8x10mm



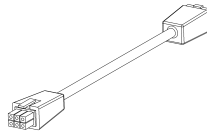
x4

(G) Screw M8x16mm



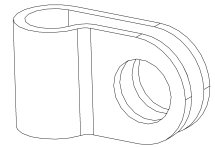
x8

(H) Extender wire



x3

(I) Cableclip



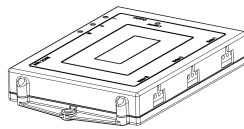
x4

(J) Screw M4x8



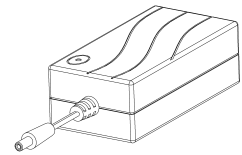
x4

(K) Sync box



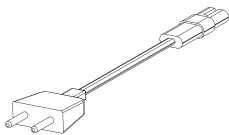
x1

(L) Power supply



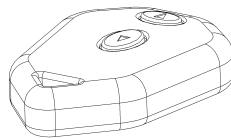
x1

(M) Power cord



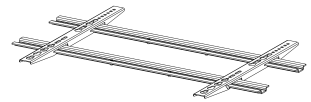
x1

(N) RF remote emitter



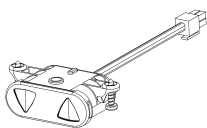
x1

(O) Monitor bracket



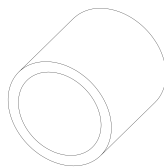
x1

(P) Control panel



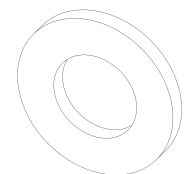
x1

(Q) bushing



x6

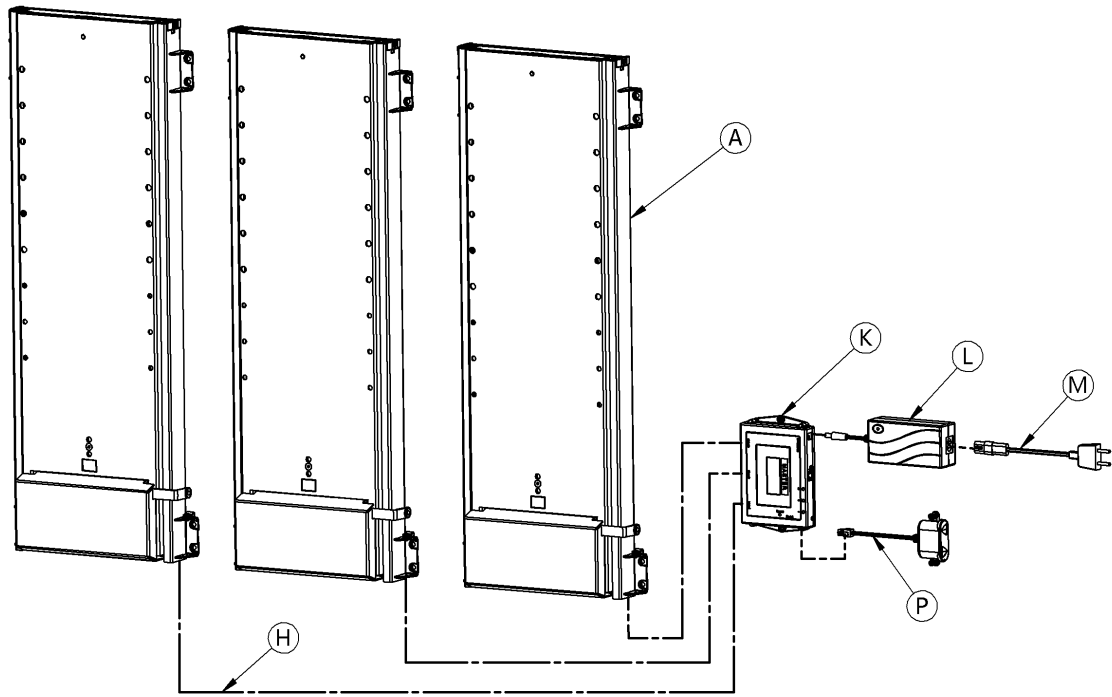
(R) M8 washer



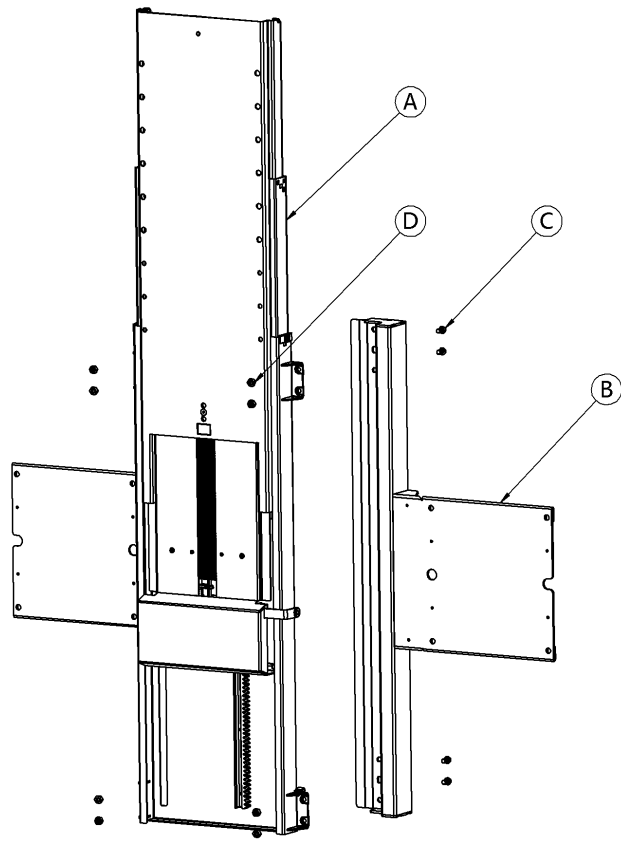
x6

2. Assembly Instruction and User Manual

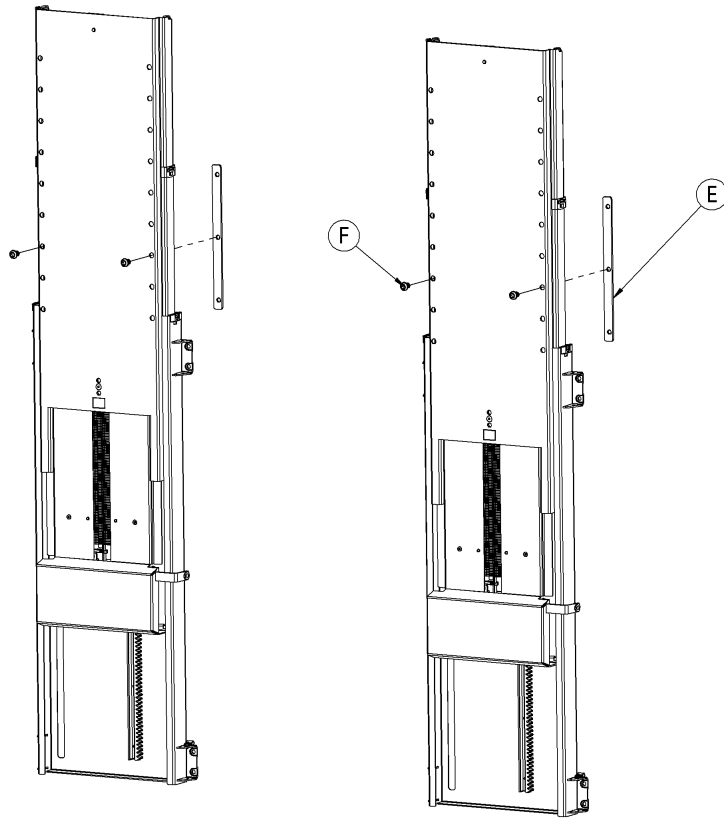
1 Moving columns



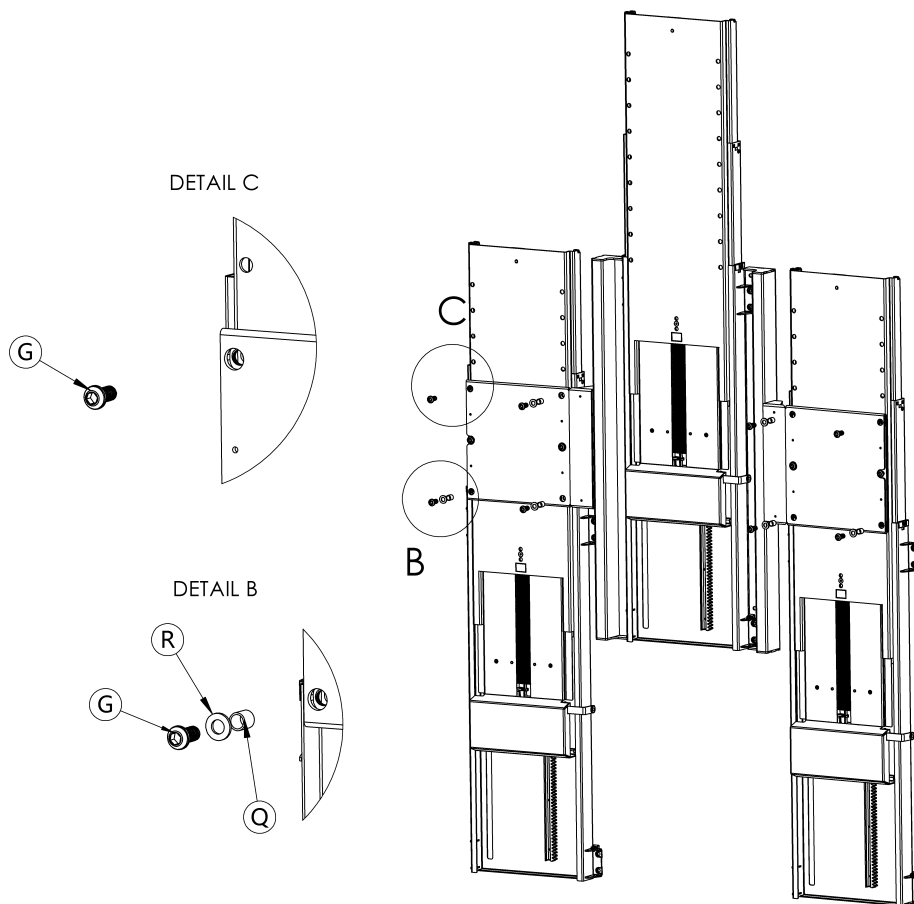
2 Mounting brackets



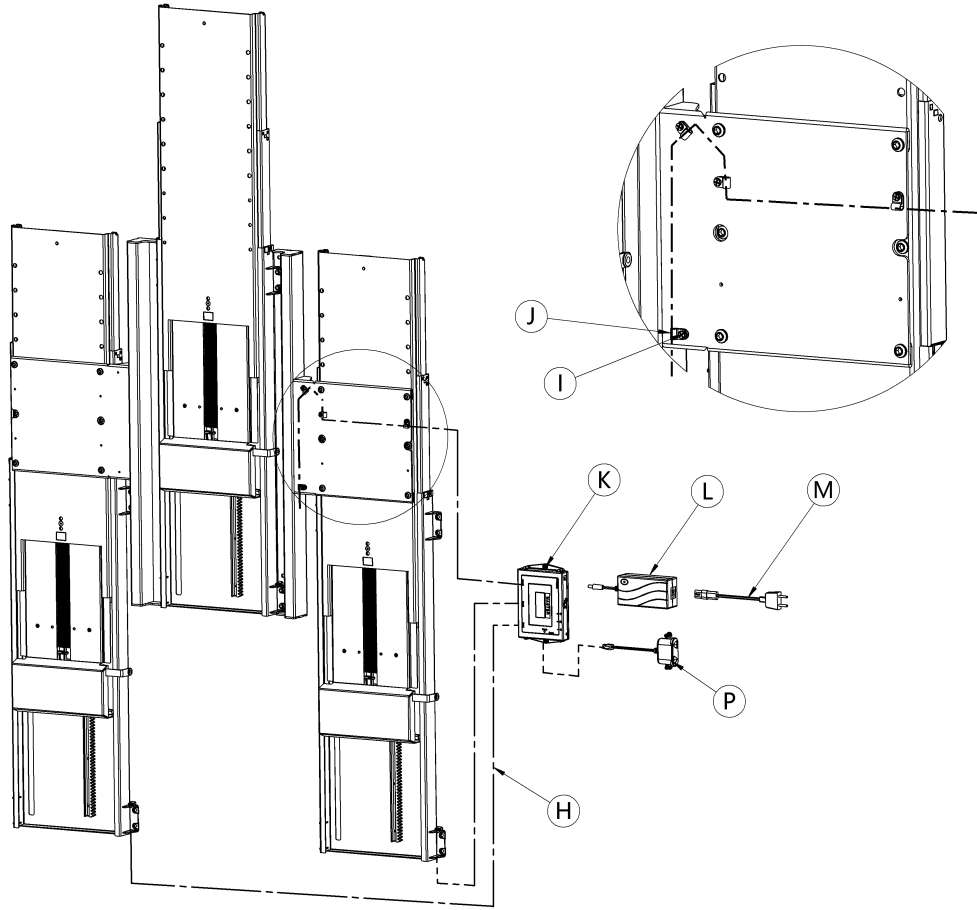
3 Mounting fix plate



4 Connecting lifts



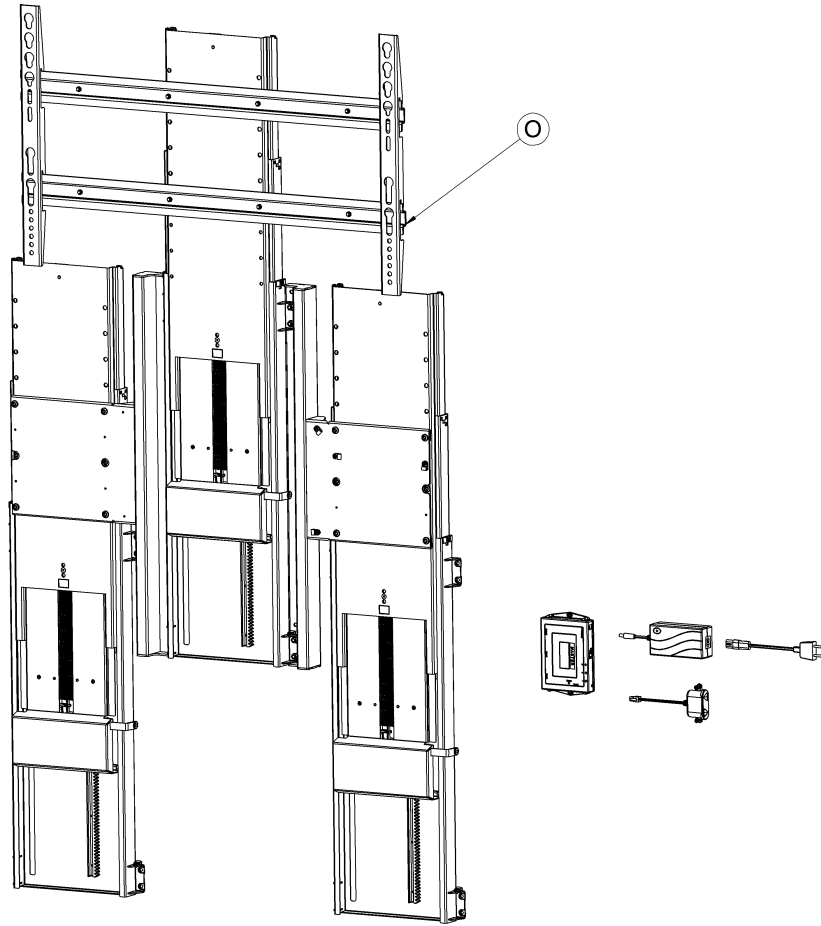
5 Wiring



6 Wiring



7 Monitor brackets



8 Mounting Overview

